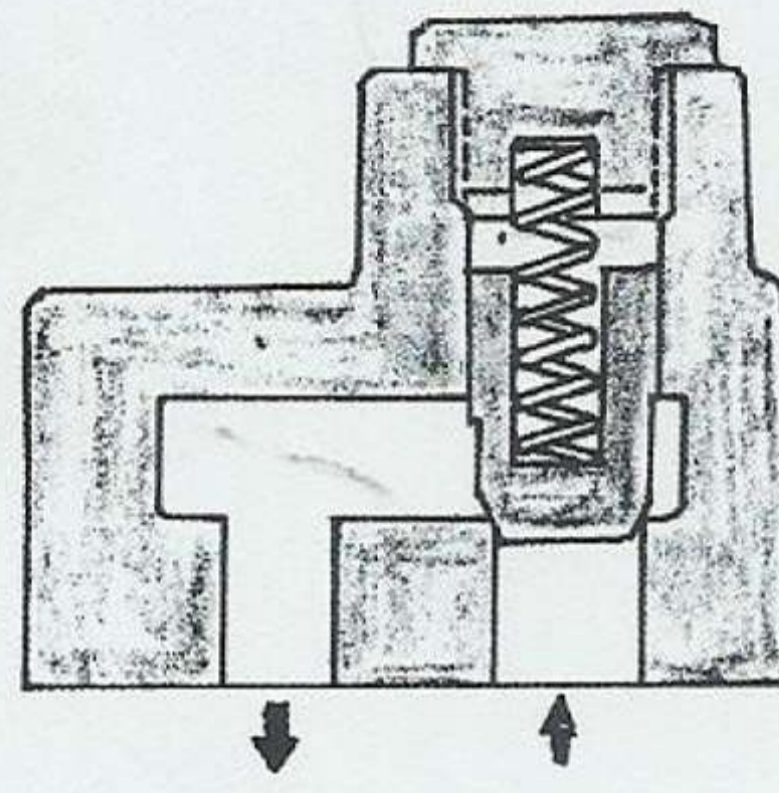
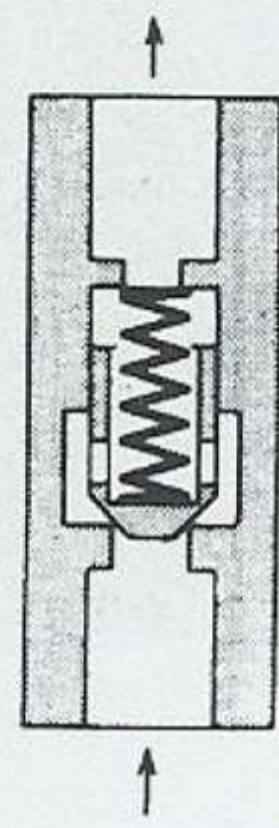
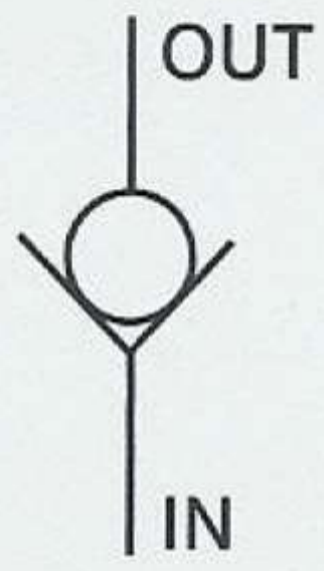


CHECK VALVE



How to order

CRG - 06 - 5

1 2 3

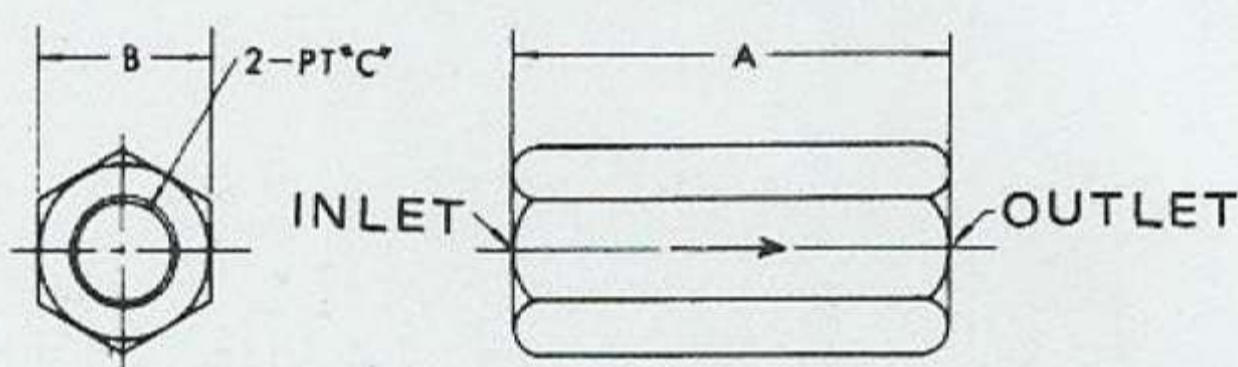
- 1 Model CRG: Sub-plate mounting CIT: Thread connection
- 2 Valve size 03: 3/8" 04: 1/2" 06: 3/4" 08: 1" 10: 1-1/4" 12: 1-1/2" 16: 2"
- 3 Cracking pressure(bar) 5: 0.5 50: 5

Specifications

Model		Rated Flow (lpm)	Max. Operating Pressure(bar)	Cracking Pressure (bar)	Weight (kg)	
Sub-Plate Mounting	Thread Connection					
CRG-03	CIT-03	40	230	5: 0.5	2	0.2
-	CIT-04	60			4	0.4
CRG-06	CIT-06	125			8	1.0
-	CIT-08	180		50: 5	8	2.1
CRG-10	CIT-10	300				3.2
-	CIT-12	420				4.8
-	CIT-16	600				

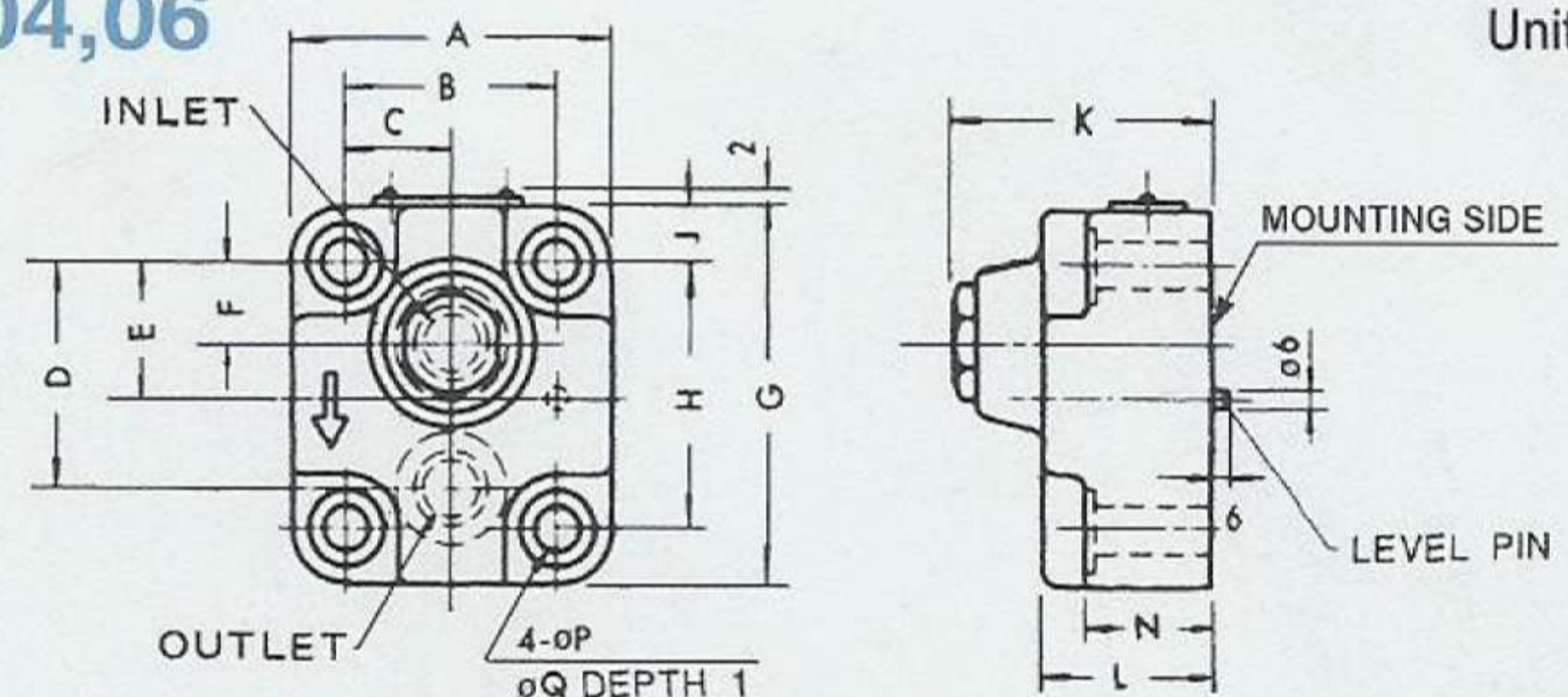
Dimensions

CIT-03,04,06,08,10,12,16



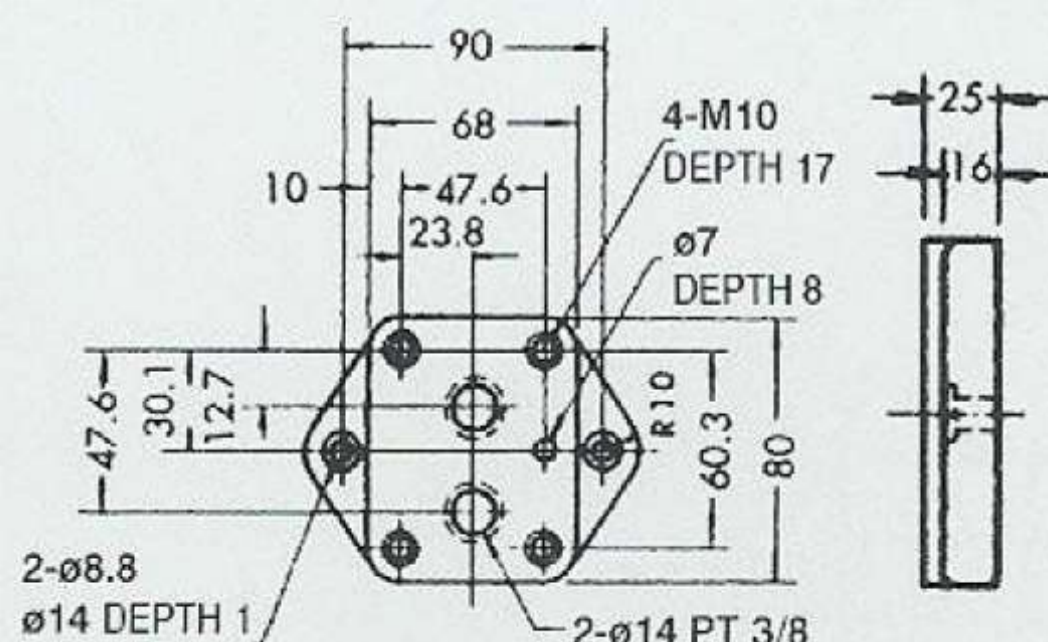
Model	A	B	C
CIT-03	70	23	3/8
CIT-04	74	29	1/2
CIT-06	95	35	3/4
CIT-08	112	46	1
CIT-10	132	55	1-1/4
CIT-12	140	65	1-1/2
CIT-16	156	80	2

CRG-03,04,06

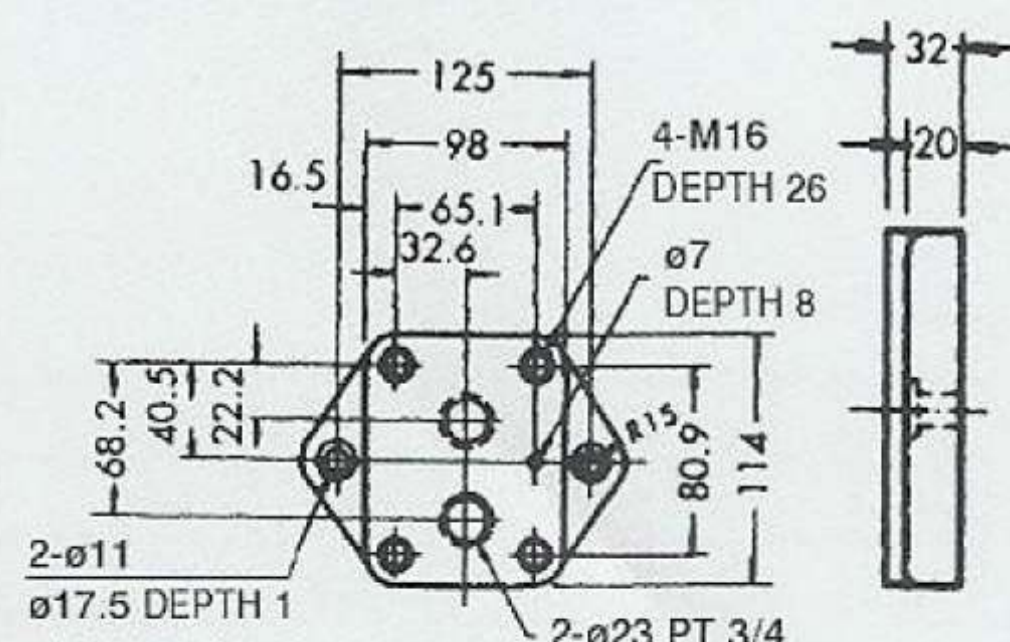


Model	A	B	C	D	E	F	G	H	J	K	L	N	P	Q	Bolt size
CRG-03	68	47.6	23.8	47.6	30.1	12.7	80	60.3	10	72	55	46	11	17.5	M10x60Lx4pcs
CRG-06	98	65.1	32.6	68.2	40.5	22.2	114	80.9	16.5	81	53	38	17.5	26	M16x60Lx4pcs
CRG-10	130	92.1	46.1	71.4	46	20.6	130	92.1	19	96	65	47	21.5	32	M20x75Lx4pcs

CRGM-03



CRGM-06



CRGM-10

