

Drive Coupling

HOF Series

Features and Handling

- Drive Couplings are made of steel reinforce Nylon sleeve with two steel drive hubs. The crowned teeth form gears permit axial and angular misalignment.
- Easy to assemble and no maintenance or lubrication needed.
- After years of experience, our drive coupling has been developed to withstand higher torque than other coupling in the market.



Ordering Code

HC - 28

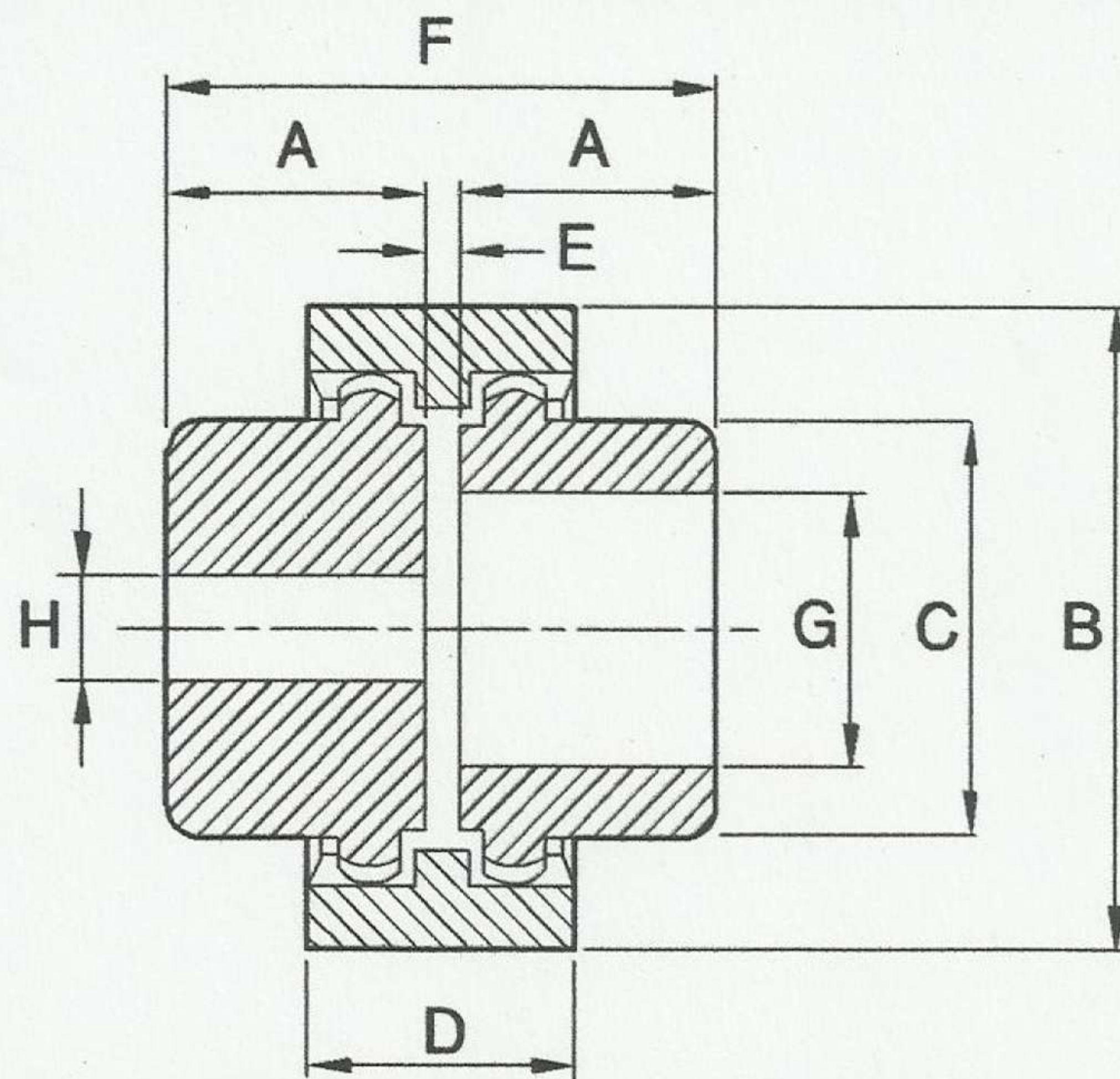
1

2

1 Model : HC

2 Bore Size (mm)
28, 42, 55

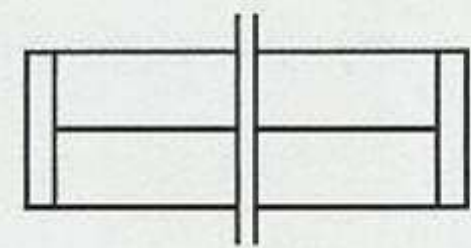
Specification and Installation Dimensions mm (inch)



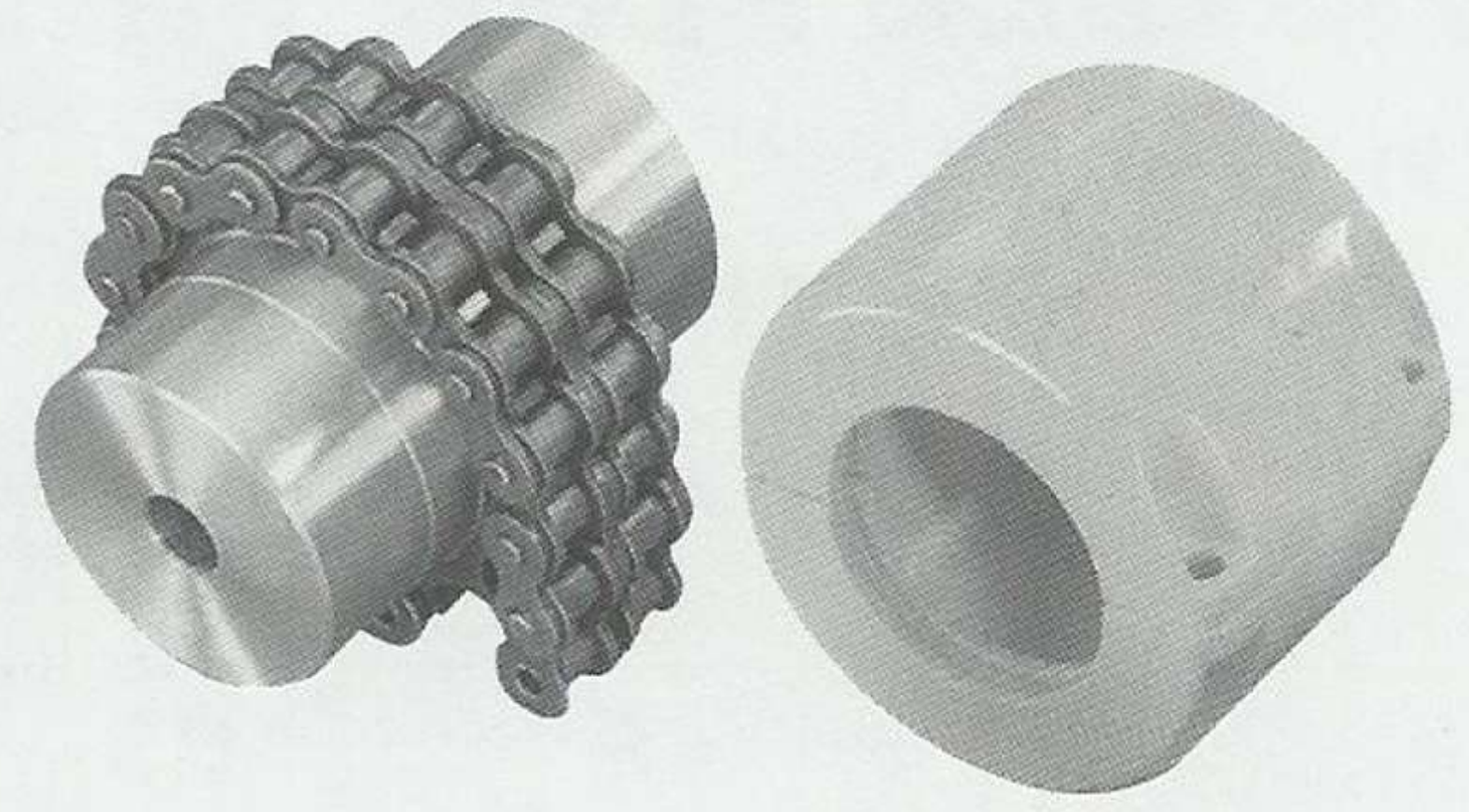
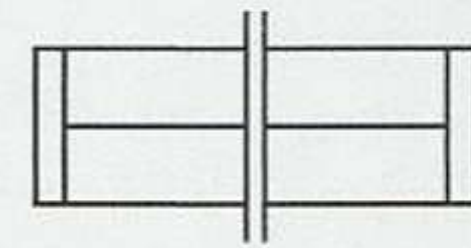
Model	Maximum Speed rpm	Maximum Power kW (hp)	Dimensions mm (inch)									Weight kg (lb)
			A	B	C	D	E	F	G		H	
									Max Bore	Min Bore		
HOF-28	5000	3.7 (5)	40 (1.57)	67 (2.64)	44 (1.73)	38 (1.50)	4 (0.16)	84 (3.31)	28 (1.10)	10 (0.39)	10 (0.39)	1 (2.2)
HOF-42	5000	7.5 (10)	42 (1.65)	87 (3.43)	60 (2.36)	52 (2.05)	4 (0.16)	88 (3.46)	42 (1.65)	10 (0.39)	10 (0.39)	2 (4.4)
HOF-55	4000	14.9 (20)	60 (2.36)	121 (4.76)	80 (3.15)	64 (2.52)	4 (0.16)	124 (4.88)	55 (2.17)	19 (0.75)	19 (0.75)	5 (11.0)

COUPLING

NM-Super flexible coupling



HT-Roller chain flexible coupling



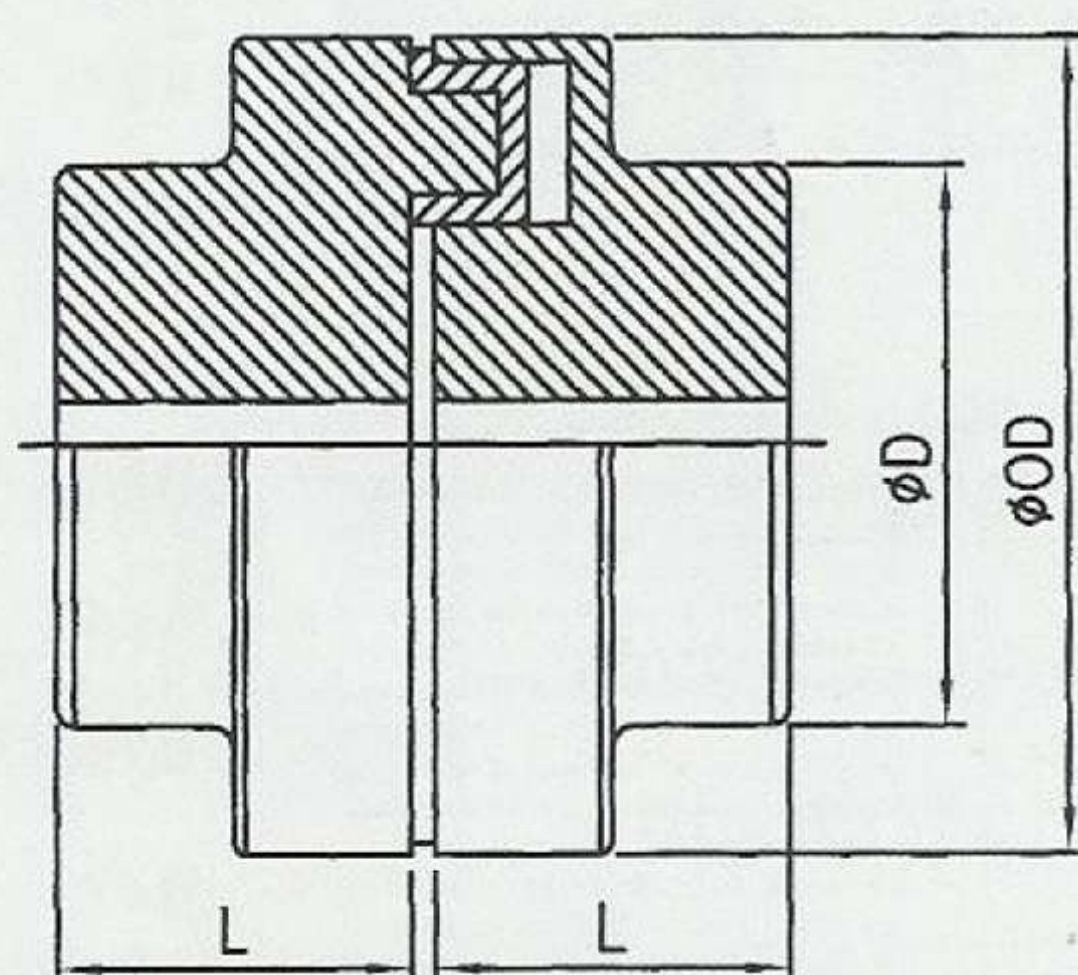
Specifications / Dimensions **NM-Super flexible coupling**

Model	Torque		Max. Speed (rpm)	Bore Diameter		Boss Dia. D	Outside Dia. OD	Distance Through boss L	Spare & Perm. Tolerance	Weight (kg)
	Normal Kg-m	Max. Kg-m		Min.	Max.					
NM-50	1.3	2.3	13,500	7	19	33	50	25	2.5±0.5	0.48
NM-67	2.2	4	10,000	9	28	46	67	30	2.5±0.5	1.02
NM-82	5.0	9	8,000	10	32	53	82	40	3.0±1.0	1.88
NM-97	10.5	19	7,000	12	42	69	97	50	3.0±1.0	3.54
NM-112	16.7	30	6,000	14	48	79	112	60	3.5±1.0	5.40
NM-128	26.7	48	5,000	18	55	90	128	70	3.5±1.0	8.10
NM-148	41.7	75	4,500	22	65	107	148	80	3.5±1.0	13.5
NM-168	69.5	125	4,000	28	75	126	168	90	3.5±1.0	19.3
NM-194	112	200	3,500	32	85	140	194	100	3.5±1.0	26.3
NM-214	167	300	3,000	45	95	157	214	110	4.0±2.0	35.7
NM-240	267	480	2,750	60	110	179	240	120	4.0±2.0	46.7
NM-265	417	750	2,500	70	120	198	265	140	5.5±2.0	66.3

HT-Roller chain flexible coupling

Model	Bore Diameter		E	L	D	H	Weight (kg)	Case	A	B	Weight (kg)
	Min.	Max.									
HT4012	11	22	80	36	35	61	0.8	HT4012	75	75	0.3
HT4016	15	30	80	36	50	77	1.4	HT4016	92	75	0.4
HT5016	15	40	100	45	60	96	2.6	HT5016	111	85	0.6
HT5018	19	45	100	45	70	106	3.5	HT5018	122	85	0.7
HT6018	22	55	120	54	85	128	6.2	HT6018	142	106	1.0
HT6022	25	75	120	54	110	152	9.8	HT6022	167	106	1.2
HT8018	30	78	150	67	115	170	13.9	HT8018	186	130	2.3
HT8022	35	95	150	67	140	202	20.2	HT8022	220	130	2.4
HT10020	35	110	201	91	160	228	34	HT10020	248	152	3.2
HT12018	48	120	261	119	170	252	51	HT12018	305	180	5.6
HT12022	58	150	261	119	210	300	66	HT12022	355	180	7.1

NM-Super flexible coupling



HT-Roller chain flexible coupling

Unit: mm

