

OIL FILLER BREATHER, AIR FILTER



How to order

AB - 1163 S

1	2	3
1	Model	
2	1163: General use	1162: Miniature type
3	Omit: Plastic strainer	S: Stainless steel screen

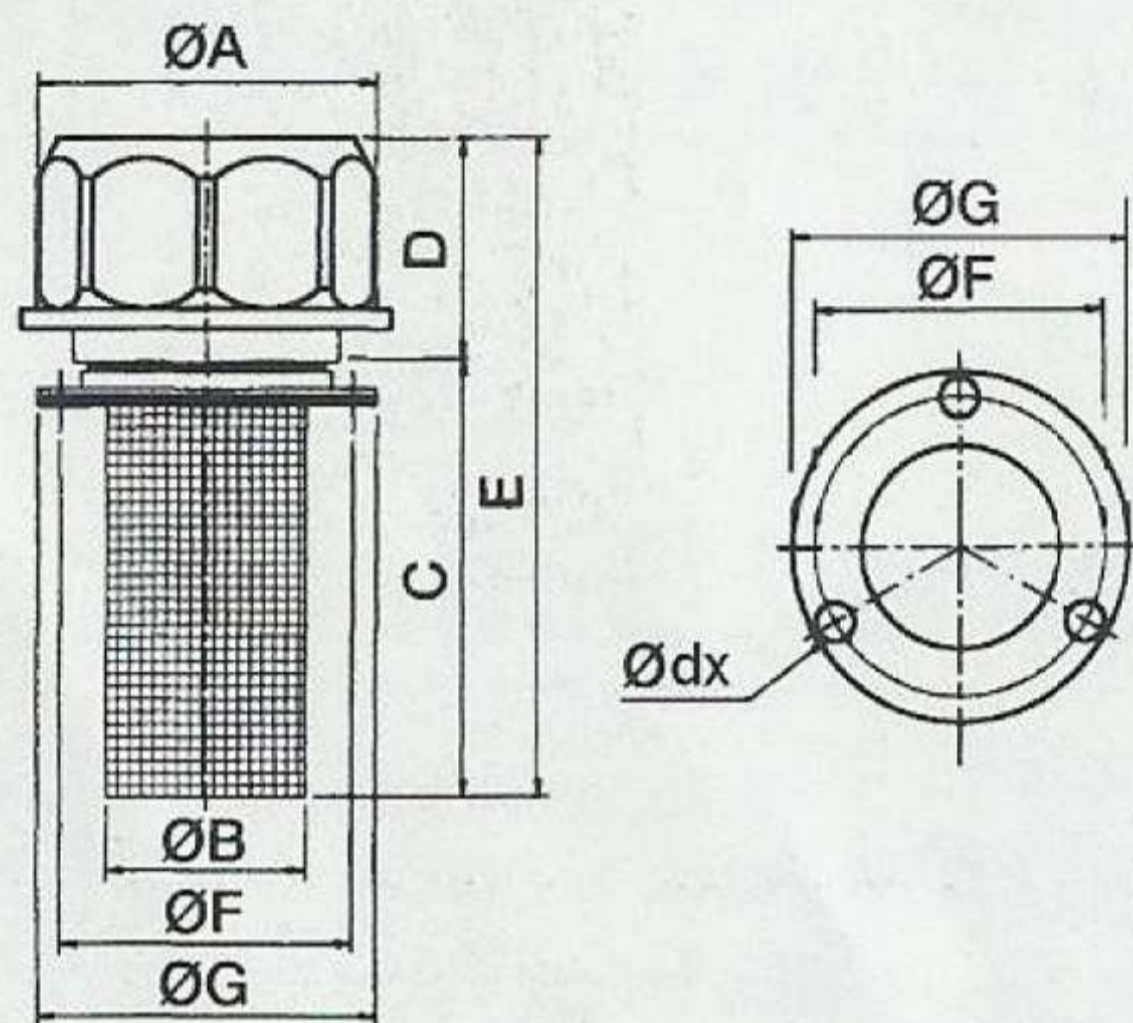
AB - 02

1	2
1	Model
2	Port size Thread connection

Dimensions

AB-1162(S), AB-1163(S), CB-16, CB-16B

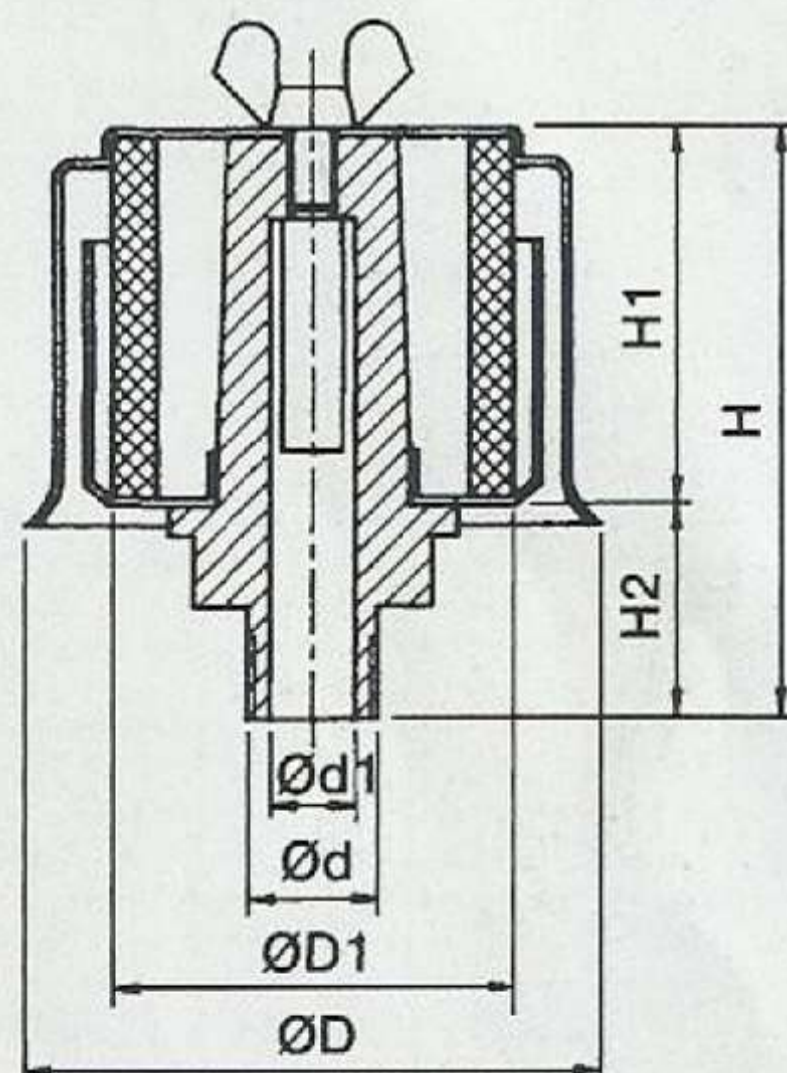
Unit: mm



Model	Port	A	B	C	D	E	F	G	dx Hole	Filtration Mesh	Weight (kg)
AB-1162	32	53	31	65	34	99	45.5	53	ø6x3	40	0.07
AB-1162S											
AB-1163	50	80	48	95	50	147	71	82	ø6x3	40	0.19
AB-1163S											
CB-16	53	85	46	120	38	158	For tank side using / Welding		40	0.61	
CB-16B										0.60	

Air Filter

Unit: mm



Model	d (PT)	d1	D	D1	H1	H2	H	Filtration Micron	Weight (kg)
AB-02	1/4"	8	52	41	36	22	58	40	0.2
AB-03	3/8"				36	22	58		0.2
AB-04	1/2"	19	67	51	41	27	68		0.3
AB-06	3/4"				41	27	68		0.3
AB-08	1"	25	100	65	45	26	74		0.4
AB-12	1-1/2"				45	26	74		0.65
AB-16	2"	48	130	92	90	37	130		0.65
AB-20	2-1/2"				90	37	130		1.5
AB-24	3"	61	187	150	115	59	174		1.5
AB-32	4"				115	59	174		2.3