

# GAUGE COCK, GAUGE DAMPER, STOP VALVE

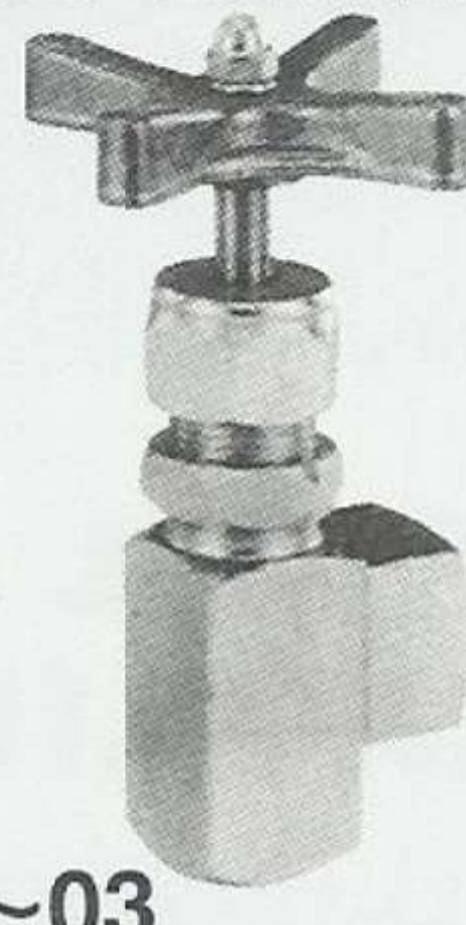
Gauge Cock



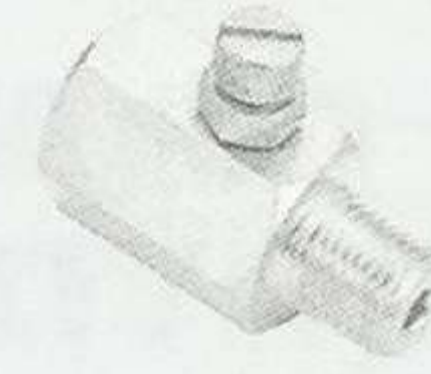
GCT-02~03



GCLT-02~03

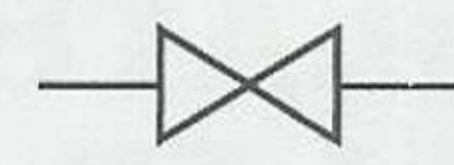


Gauge Damper



SB-02~03

Stop Valve



ST-02~08



## How to order

### GCT, SB, ST - 02

1 2

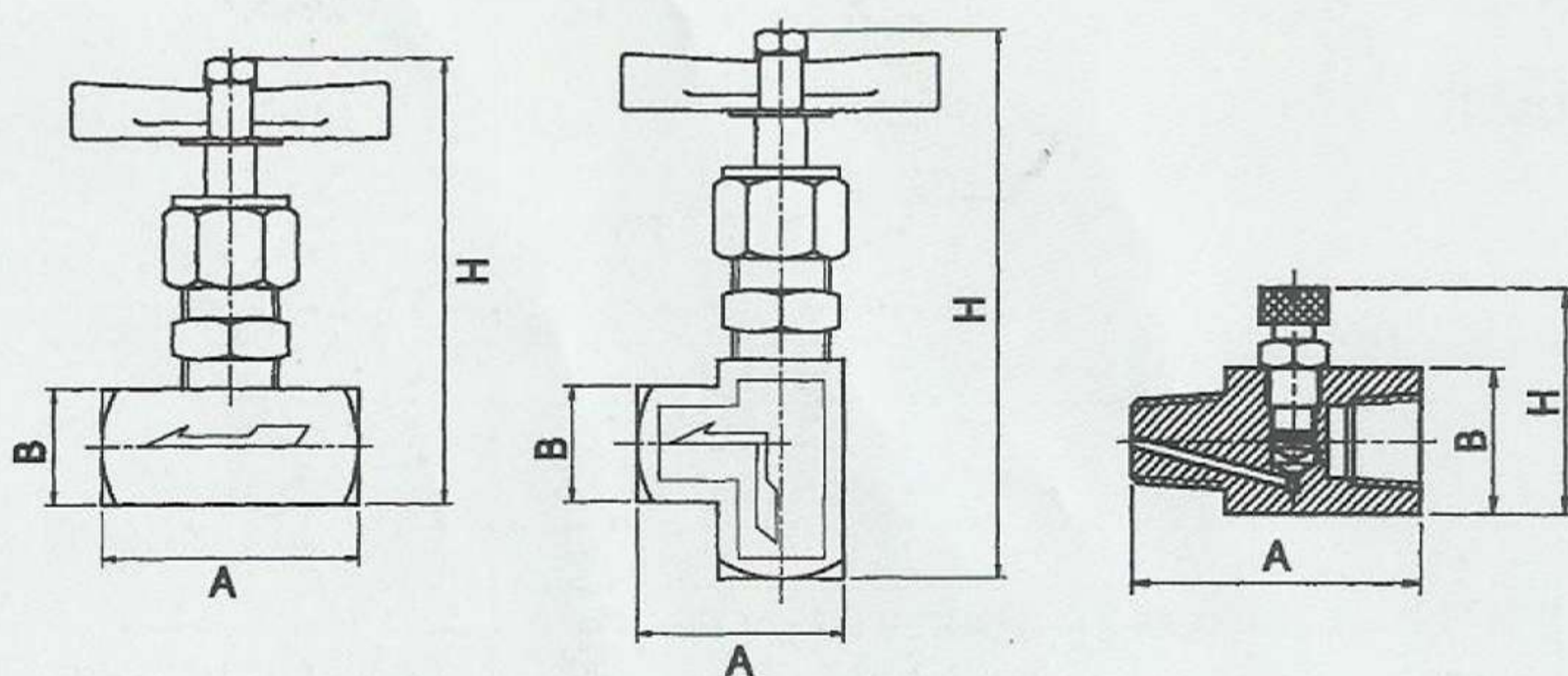
1	Model	GCT, SB, ST: 180°	GCLT: 90°
2	Port size	02: 1/4" 03: 3/8" 04: 1/2" 06: 3/4" 08: 1"	

## Specifications

Model	Type	Max. Pressure (bar)	Flow (lpm)	Weight (kg)	Model	Port size (PT)	Max. Pressure (bar)	Flow (lpm)	Orifice (inch)	Weight (kg)
GCT-02	180°	250	3	0.35	ST-02	1/4"	350	20	3/16	0.33
GCT-03			21	0.39	ST-03	3/8"		40	9/32	0.43
GCLT-02	90°		3	0.34	ST-04	1/2"		80	11/32	0.65
GCLT-03			21	0.38	ST-06	3/4"		120	7/16	1.46
SB-02	180°	100	0.5	0.1	ST-08	1"		300	9/16	2.50
SB-03			0.7	0.12						

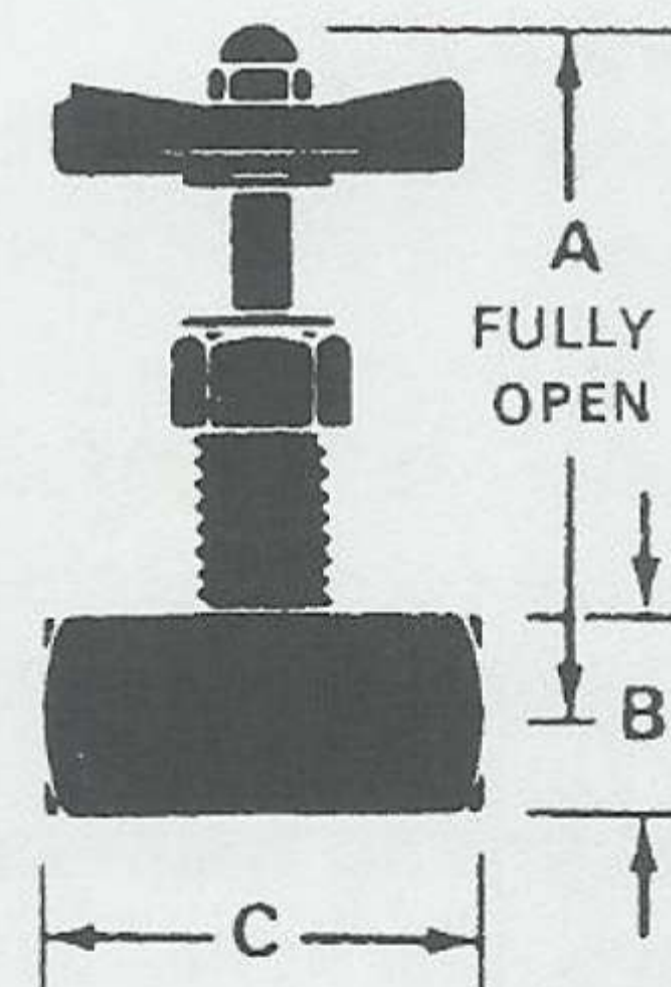
## Dimensions

Unit: mm



Model	A	B	H
GCT-02	52.5	26	95.5
GCT-03	52.5	26	95.5
GCLT-02	44.5	26	109
GCLT-03	44.5	26	109
SB-02	43	21	32
SB-03	45	23	34

Unit: inch



Model	A	B	C
ST-02	3-1/16	7/8	2
ST-03	4-1/32	1	3-2/8
ST-04	3-15/16	1-1/4	2-7/8
ST-06	4-15/16	1-1/2	3-5/8
ST-08	5-5/16	2	4-1/16